



Unitary Side Discharge Split System 24VAC Control

Submission Data: FLEXX36AH/36HP230V1A 36000 BTU/H (208/230V) HEAT PUMP SYSTEM

Job Name	Location	Date
Purchaser	Engineer	
Submitted To	For <input type="checkbox"/> Reference <input type="checkbox"/> Approval <input type="checkbox"/> Construction	
Unit Designation	Schedule No.	

- GENERAL FEATURES**
- Side Discharge Outdoor Unit
 - Zero Lot Line Design
 - Match with Gree or Competitive Indoor Unit
 - Designed for New Construction or Replacement Market
 - Quiet Outdoor Operation - 55 dB(A)
 - 24VAC Thermostat Compatible
 - Acrylic Resin/Anti-Corrosion Fin Coating
 - 5 yr. Limited Compressor & Parts Warranty (Residential Only)



System Ratings

Cooling		
Rated Capacity (BTU/H)		36000
Capacity Range (BTU/H)		18000 - 37000
Power Input (W)		3270
SEER		18
EER		11

Heating		
Rated Capacity at 47° F (BTU/H)		36000
Capacity Range (BTU/H)		18000 - 38000
Power Input (W)		3010
HSPF		10.0
COP		3.5

Heating		
Rated Capacity at 17° F (BTU/H)		24400
Power Input (W)		2860
COP		2.5

Operating Range		
Cooling	(Max)	129°F (46°C)
	(Min)	5°F (-18°C)
Heating	(Max)	75°F (24°C)
	(Min)	-22°F (-30°C)

Refrigerant Piping Data		
Gas Pipe Size - OD (in)		3/4
Liquid Pipe Size - OD (in)		3/8
Connection Method		Flared
Factory Charge (oz)		148.8
Additional Charge (oz/ft)		0.3
Factory Charge Length (ft)		25
MAX Refrigerant Pipe Length (ft)		164
MIN Refrigerant Pipe Length (ft)		10
MAX Refrigerant Pipe Elevation (ft)		49

Indoor Unit Data - FLEXX36HP230V1AH

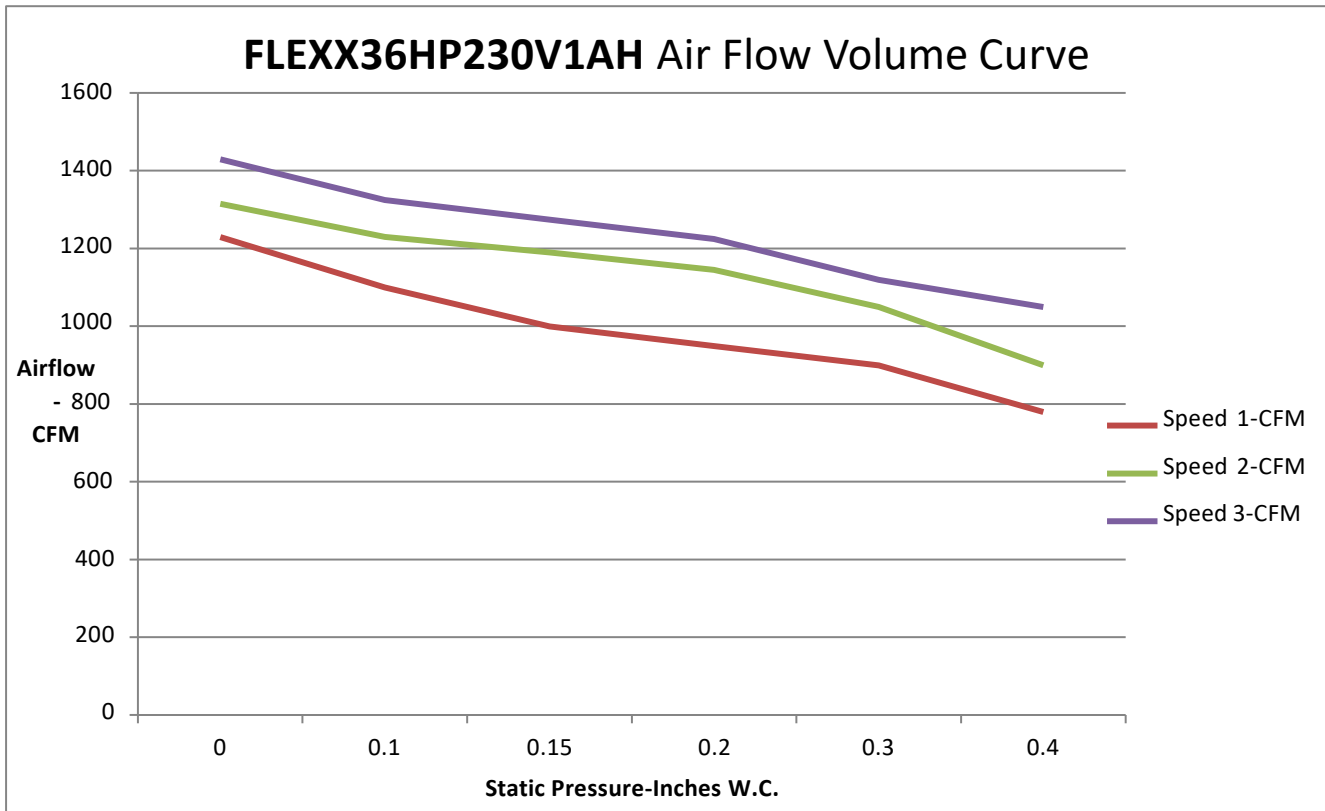
Fan Motor	Output Power (HP)	1/2
	FLA (A)	2.1
Airflow	CFM	1000
	Rated External Static Pressure	0.15
	External Static Pressure Range (InWg)	0-4
	Sound Pressure Level (dB(A))	47
Dehumidification (pt/hr)		6
Power Supply (Dedicated Circuit: Size Per Local Code)		
	Normal Operational Voltage	208/230 V, 1 Phase, 60 Hz
	Voltage Range	187 - 253 V
	MCA (A)	4
	MOCB/Breaker Size (A)	15

Outdoor Unit Data - FLEXX36HP230V1AO

Compressor	DC Inverter Driven Rotary	
	RLA (A)	16
Refrigerant Type	R410A	
Fan Motor	Output Power (HP)	1/5
	FLA (A)	1.5
Crankcase Heater (W)	40	
Sound Pressure Level - dB(A)	55	
Power Supply (Dedicated Circuit: Size Per Local Code)		
	Normal Operational Voltage	208/230 V, 1 Phase, 60 Hz
	Voltage Range (V)	187 - 253
	MCA (A)	24
	MOCB/Breaker Size (A)	35

SYSTEM FEATURES	
Compressor	Inverter
Ultra Low Frequency Torque Control	YES
Power Factor Correction	YES
Compressor Type	Rotary
Refrigerant Type	R410A
Outdoor Electronic Expansion Valve (EEV)	YES
Indoor TXV Control	YES
Basepan With Electric Heater	YES
Compressor With Electric Heater	YES
Outdoor Fin Coating	Acrylic Resin
Intelligent Defrosting	YES
Intelligent Preheating	YES
Low Voltage Startup	YES
Memory/Power Failure Recovery	YES
Self Diagnosis	YES
Low Ambient Cooling	YES
24VAC Thermostat Compatible	YES
Indoor Fan Type	Centrifugal
Multi Fan Speeds	3 Speeds
Auxiliary Electrical Heater	Optional

FAN PERFORMANCE CURVES



Static Pressure - InWc	0	0.1	0.15	0.2	0.3	0.4
Speed 1-CFM	1230	1100	1000	950	900	780
Speed 2-CFM	1315	1230	1190	1145	1050	900
Speed 3-CFM	1430	1325	1275	1225	1120	1050

COOLING PERFORMANCE

Outdoor Ambient Temperature (DB)		Return Air Temperature			
		80°F (DB)			
		TC (Btu/h)	SHR	EER	Power Input (W)
MAX OUTPUT	5°F	36000	68.50%	16.29	2210
	10°F	36000	70.75%	16.00	2250
	15°F	36000	70.00%	15.79	2280
	20°F	36000	70.96%	15.75	2285
	25°F	36000	71.58%	15.69	2295
	30°F	36000	69.80%	15.65	2300
	35°F	36000	70.88%	15.32	2350
	40°F	36000	69.50%	15.00	2400
	45°F	36000	71.17%	14.69	2450
	50°F	36000	70.00%	14.40	2500
	55°F	36000	70.75%	14.23	2530
	60°F	36000	70.96%	14.01	2570
	65°F	36000	70.00%	13.85	2600
	70°F	36000	71.50%	13.58	2650
	75°F	36000	69.80%	13.33	2700
	80°F	36000	70.40%	12.41	2900
	85°F	37000	69.50%	11.94	3100
	90°F	37000	71.68%	11.21	3300
	95°F	37000	70.00%	10.28	3600
	100°F	36000	70.75%	9.00	4000
	105°F	36000	69.00%	8.18	4400
110°F	35000	70.94%	8.14	4300	
115°F	33000	71.00%	8.05	4100	
120°F	30000	68.67%	7.89	3800	
125°F	25000	67.60%	7.81	3200	
129°F	23000	71.00%	7.67	3000	

HEATING PERFORMANCE

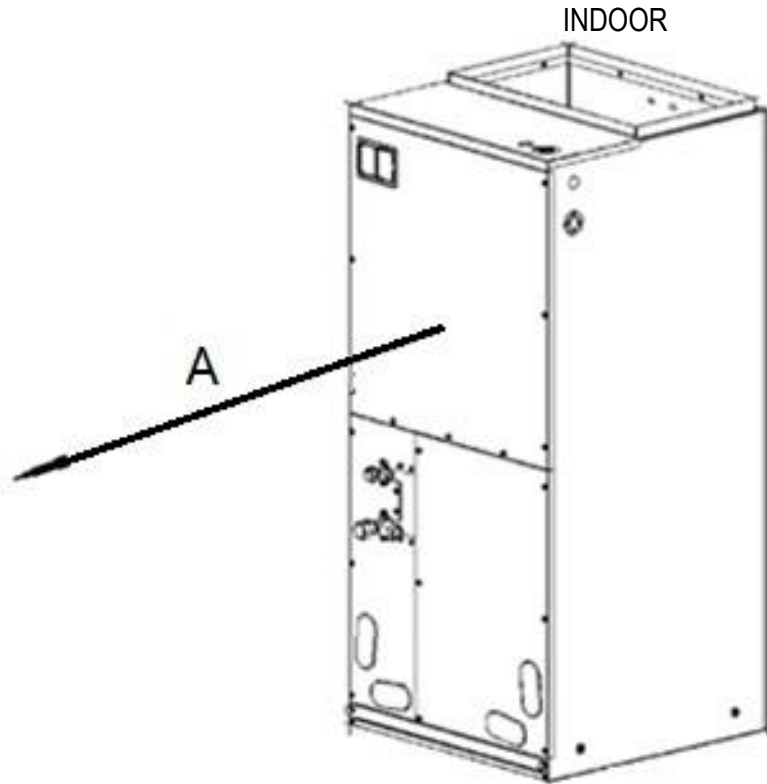
Outdoor Ambient Temperature (DB)		Return Air Temperature		
		70°F (DB)		
		TC (Btu/h)	COP	Power Input (W)
MAX OUTPUT	-22°F	18400	1.30	4150
	-20°F	20000	1.38	4250
	-15°F	21100	1.40	4430
	-10°F	23500	1.50	4580
	-5°F	25200	1.60	4630
	0°F	28000	1.75	4700
	5°F	30000	1.83	4800
	10°F	31500	1.85	5000
	15°F	34000	1.92	5200
	17°F	36000	1.94	5450
	20°F	36000	2.05	5150
	25°F	36000	2.11	5000
	30°F	36000	2.18	4850
	35°F	36000	2.30	4600
	40°F	36000	2.51	4200
	45°F	37000	2.71	4000
	47°F	38000	3.10	3600
	50°F	38000	3.18	3500
	55°F	38000	3.38	3300
	60°F	38000	3.54	3150
	65°F	38000	3.57	3120
70°F	38000	3.58	3115	
75°F	36000	3.58	2950	

LEGEND: W - Watts
 DB - Dry Bulb
 TC - Total Capacity
 SHR - Sensible Heat Ratio
 COP - Coefficient of Performance

Submittal Data: FLEXX36HP230V1AH

MINIMUM SPACING REQUIREMENTS

Units: inches



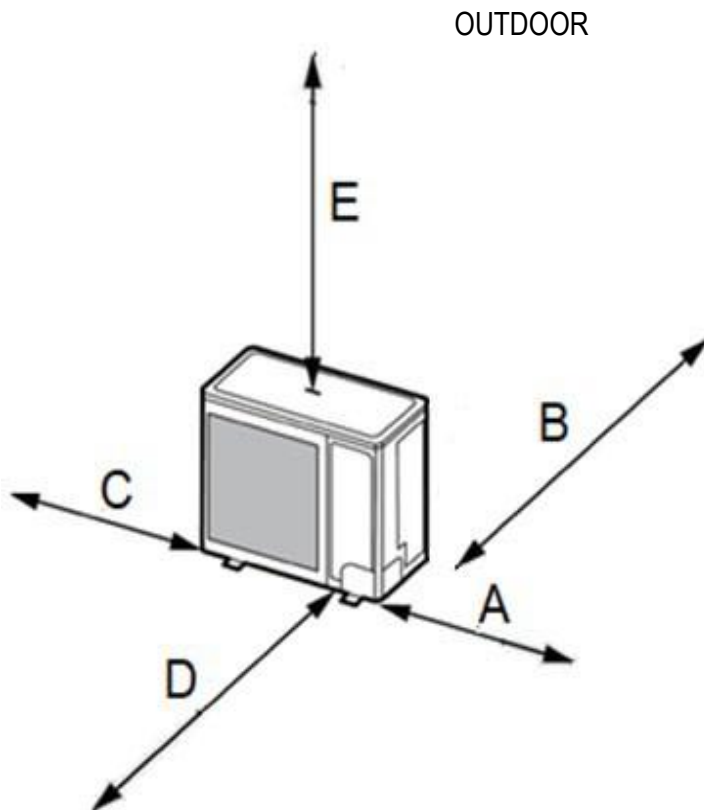
A	24
ALL OTHER SIDES	0

ALWAYS CHECK AND FOLLOW STATE AND LOCAL CODE REGULATIONS FOR MINIMUM SPACING REQUIREMENTS

FLEXX36HP230V1AO

MINIMUM SPACING REQUIREMENTS¹

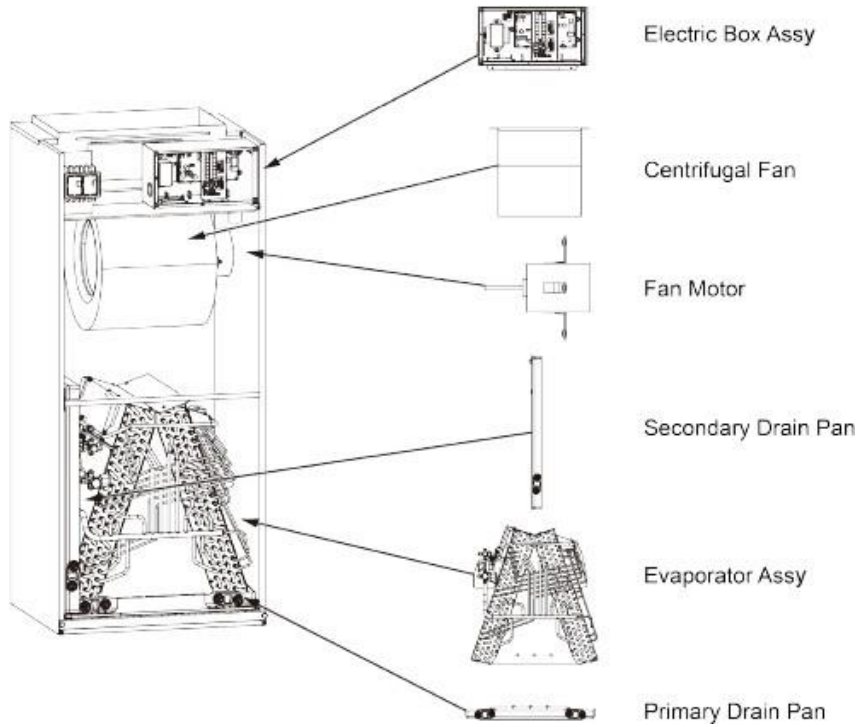
Units: inches



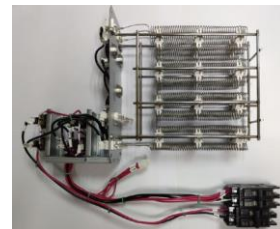
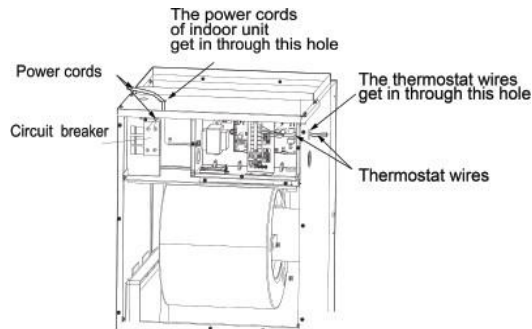
A	12
B	4
C	4
D	40
E	40

ALWAYS CHECK AND FOLLOW STATE AND LOCAL CODE REGULATIONS FOR MINIMUM SPACING REQUIREMENTS

1. See Installation manual for complete clearance details on single and multiple unit installations.



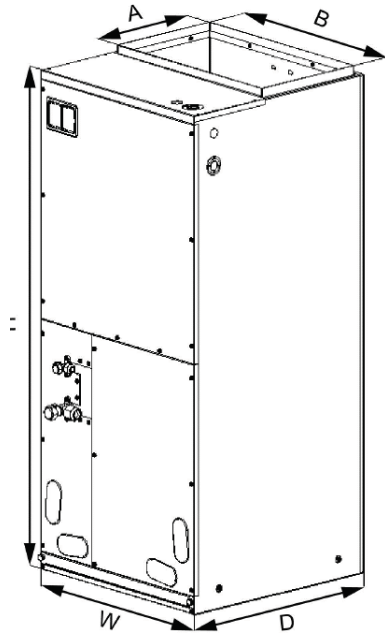
Model	Heat Kit Model	Electric Heat (kW)		Min. Circuit		Max. Fuse or Breaker	
		240V	208V	240V	208V	240V	208V
FLEX36HP230V1BH	FLEXXHTR5KW	5	3.76	26	22.6	30	25
	FLEXXHTR8KW	8	6	41.7	36	45	40
	FLEXXHTR10KW	10	7.51	52	45	60	45
	FLEXXHTR15KW	15	11.25	52 & 26	45 & 22.6	60 & 30	45 & 25
	21-4227-00	5	3.76	26	22.6	30	25
	21-4216-00	8	6	41.7	36	45	40
	21-4216-01	10	7.51	52	45	60	45
	21-4217-00	15	11.25	52 & 26	45 & 22.6	60 & 30	45 & 25



DIMENSIONAL SPECIFICATIONS FLEXX36HP230V1AH

INDOOR UNIT DIMENSIONS & WEIGHTS

Units: inch



W	21-1/4
D	21-1/4
H	48-1/4
A	11-5/8
B	20

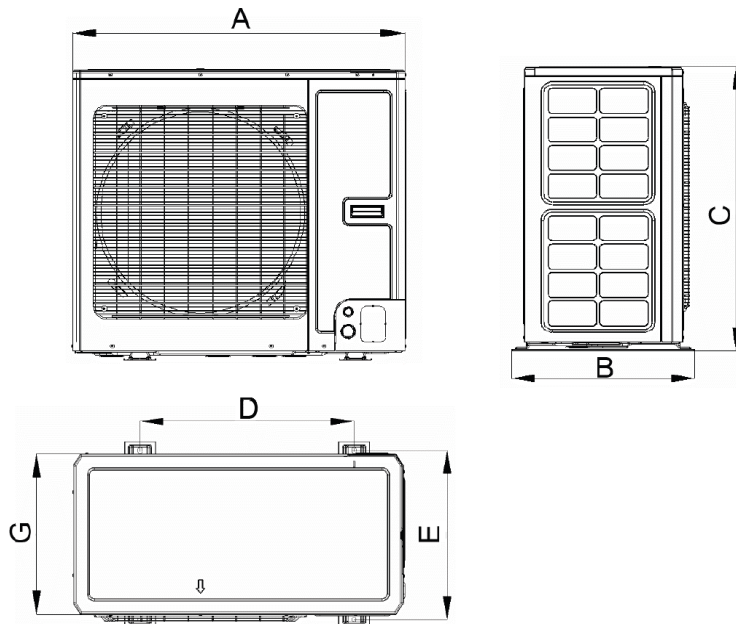
Net Weight (lbs)	156.5
Shipping Weight (lbs)	170

Liquid Line Valve	3/8-in OD Brazed
Gas Line Valve	3/4-in OD Brazed
Drain Connector	3/4 in OD

FLEXX36HP230V1AO

OUTDOOR UNIT DIMENSIONS & WEIGHTS

Units: inch



A	37
B	20-7/8
C	32-1/4
D	24
E	19-1/8
G	18-1/8

Net Weight (lbs)	217.2
Shipping Weight (lbs)	240

Liquid Line Valve	3/8-in OD Brazed
Gas Line Valve	3/4-in OD Brazed

Notes:

1. Power wiring size must comply with applicable national and local codes for both ID and OD dedicated circuits.
2. Test conditions are based on AHRI 210/240.

Specifications are subject to change without notice. Manufacturer reserves the right to discontinue or modify specifications or designs without notice or without incurring obligations. All rights reserved.