

Job Name:

System Reference:

Date:

Indoor Unit:
PKA-A30KA7

Outdoor Unit:
 PUZ-A30NHA7
 PUZ-A30NHA7-BS



INDOOR UNIT FEATURES

- Sleek, compact design
- Simple installation
- Vane setting for air flow direction control
- Auto fan speed mode
- Ideal for spaces such as server rooms, daycare centers, classrooms, churches, small offices, and more

OUTDOOR UNIT FEATURES

- Variable speed INVERTER-driven compressor
- Suction accumulator pre-charged with refrigerant volume for piping length up to 100 ft (70 ft. for A12/18/24/30)
- 24-hour continuous operation (cooling mode)
- High pressure protection
- Fast restart due to bypass valve make it ideal for equipment cooling applications, such as data centers
- Superior energy and operational efficiency

SPECIFICATIONS: PKA-A30KA7 & PUZ-A30NHA7(-BS)

Model Number	Indoor Unit		PKA-A30KA7
	Outdoor Unit		PUZ-A30NHA7
			PUZ-A30NHA7-BS
Cooling ¹	Maximum Capacity	Btu/h	30,000
	Rated Capacity	Btu/h	30,000
	Minimum Capacity	Btu/h	9,000
	Maximum Power Input	W	3,150
	Rated Power Input	W	3,150
	Moisture Removal	Pints/h	8.10
	Sensible Heat Factor		0.70
	Power Factor	%	96.40
Heating at 47°F ²	Maximum Capacity	Btu/h	34,000
	Rated Capacity	Btu/h	32,000
	Minimum Capacity	Btu/h	8,900
	Maximum Power Input	W	2,620
	Rated Power Input	W	2,460
	Power Factor	%	96.40
Heating at 17°F ³	Maximum Capacity	Btu/h	21,000
	Rated Capacity	Btu/h	18,300
	Maximum Power Input	W	2,080
	Rated Power Input	W	1,960
Efficiency	SEER		19.80
	EER *1		9.50
	HSPF (IV)		9.90
	COP at 47°F ²		3.81
	COP at 17°F ³		2.73
Electrical	Voltage, Phase, Frequency		208 / 230V, 1-phase, 60 Hz
	Guaranteed Voltage Range	V AC	198 – 253
	Voltage: Indoor - Outdoor, S1-S2	V AC	208 / 230
	Voltage: Indoor - Outdoor, S2-S3	V DC	24
	Voltage: Indoor - Remote controller	V DC	12
	Recommended Fuse/Breaker Size	A	25
	Recommended Wire Size (Indoor - Outdoor)	AWG	14
Indoor Unit	MCA	A	1.00
	Fan Motor Full Load Amperage	A	0.36
	Fan Motor Output	W	56
	Airflow Rate, Dry	CFM	635-705-775
	Airflow Rate, Wet	CFM	570-635-700
	External Static Pressure	in.WG	n/a
	Sound Pressure Level	dB(A)	39-42-45
	Drain Pipe Size	In. (mm)	5/8 (16)

SPECIFICATIONS: PKA-A30KA7 & PUZ-A30NHA7(-BS)

Model Number	Indoor Unit		PKA-A30KA7
	Outdoor Unit		PUZ-A30NHA7
			PUZ-A30NHA7-BS
	Condensate Lift Mechanism, Max. Distance	Ft. (m)	n/a
	Heat Exchanger Type		Plate fin coil
	External Finish Color		White Munsell 1.0Y 9.2/0.2
	Unit Dimensions	W: In. (mm)	46-1/16 (1170)
		D: In. (mm)	11-5/8 (295)
		H: In. (mm)	14-3/8 (365)
	Package Dimensions	W: In.	51
		D: In.	18-8/16
H: In.		14-4/16	
Unit Weight	Lbs. (kg)	46 (21)	
Package Weight	Lbs.	53	
Indoor Unit Operating Temperature Range	Cooling Intake Air Temp (Maximum / Minimum)	°F	90 DB, 73 WB / 66 DB, 59 WB
	Heating Intake Air Temp (Maximum / Minimum)	°F	82 DB / 50 DB
Outdoor Unit	MCA	A	19
	MOCP	A	26
	Fan Motor Full Load Amperage	A	0.4
	Fan Motor Output	W	86
	Airflow Rate	CFM	1,940
	Refrigerant Control		Electronic Expansion Valve
	Defrost Method		Reverse Cycle
	Heat Exchanger Type		Cross fin
	Sound Pressure Level, Cooling ¹	dB(A)	47
	Sound Pressure Level, Heating ²	dB(A)	48
	Compressor Type		INVERTER-driven twin rotary
	Compressor Model		SNB172FVHM1
	Compressor Rated Load Amps	A	7
	Compressor Locked Rotor Amps	A	11
	Compressor Oil Type // Charge	oz.	FV50S // 23
	External Finish Color		Ivory Munsell 3Y 7.8/1.1
	Base Pan Heater		n/a
	Unit Dimensions	W: In. (mm)	37-13/32 (950)
		D: In. (mm)	13 + 1-3/16 (330 + 30)
		H: In. (mm)	37-1/8 (943)
Package Dimensions	W: In.	40-15/16	
	D: In.	17-11/16	
	H: In.	40-11/16	
Unit Weight	Lbs. (kg)	153 (69)	
Package Weight	Lbs. (kg)	179 (81)	

SPECIFICATIONS: PKA-A30KA7 & PUZ-A30NHA7(-BS)

Model Number	Indoor Unit		PKA-A30KA7
	Outdoor Unit		PUZ-A30NHA7
			PUZ-A30NHA7-BS
Outdoor Unit Operating Temperature Range	Cooling Intake Air Temp (Maximum / Minimum)	°F	115 DB / 0* DB
	Heating Intake Air Temp (Maximum / Minimum)	°F	70 DB, 59 WB / -4 DB, -4 WB
	Thermal Lock-out / Re-start Temperatures**	°F	-8 / -4 DB
Refrigerant	Type		R410A
	Charge	Lbs, oz	7 lbs, 11 oz
Piping	Gas Pipe Size O.D. (Flared)	In.(mm)	5/8 (15.88)
	Liquid Pipe Size O.D. (Flared)	In.(mm)	3/8 (9.52)
	Maximum Piping Length	Ft. (m)	165 (50)
	Maximum Height Difference	Ft. (m)	100 (30)
	Maximum Number of Bends		15

Notes

AHRI Rated Conditions (Rated data is determined at a fixed compressor speed)	¹ Cooling (Indoor // Outdoor)	°F	80 DB, 67 WB // 95 DB, 75 WB
	² Heating at 47°F (Indoor // Outdoor)	°F	70 DB, 60 WB // 47 DB, 43 WB
	³ Heating at 17°F (Indoor // Outdoor)	°F	70 DB, 60 WB // 17 DB, 15 WB
Conditions	⁴ Heating at 5°F (Indoor // Outdoor)	°F	70 DB, 60 WB // -4 DB, -5 WB

*Wind baffles required to operate below 23°F DB in cooling mode. PUZ with wind baffle: 0°F - 115°F.

**System cuts out in heating mode to avoid thermistor error and automatically restarts at these temperatures.

SEACOAST PROTECTION

- External Outer Panel: Phosphate coating + Acrylic-Enamel coating
- Fan Motor Support: Epoxy resin coating (at edge face)
- Separator Assembly; Valve Bed: Epoxy resin coating (at edge face)
- "Blue Fin" treatment is an anti-corrosion treatment that is applied to the condenser coil to protect it against airborne contaminants.

ACCESSORIES: PKA-A30KA7

Signal Receiver	□ PAR-SA9CA-E
Wireless Remote Controller	□ PAR-FL32MA-E
Wireless Remote Receiver	□ PAR-FA32MA-E
Backlit, Wall-mounted, Wireless Controller	□ MHK1
Portable Central Controller	□ MCCH1
Wired MA Controller	□ PAR-33MAA
Simple MA Controller	□ PAC-YT53CRAU
Touch MA Controller	□ PAR-CT01MAU-SB
Wired Remote Sensor	□ PAC-SE41TS-E
Lockdown Bracket for Wireless, Hand-held, Remote Controller	□ RCMKP1CB
Wireless Temperature and Humidity Sensor	□ PAC-USWHS003-TH-1
Outside Air Sensor for MHK1	□ MOS1
Flush Mount Remote Temperature Sensor	□ PAC-USSEN001-FM-1
Wireless Interface	□ PAC-USWHS002-WF-1
Thermostat Interface	□ PAC-US444CN-1
kumo station®	□ PAC-WHS01HC-E
USNAP Interface	□ PAC-WHS01UP-E
IT Extender	□ PAC-WHS01IE-E
BACnet® and Modbus Interface	□ PAC-UKPRC001-CN-1
Connector for CN32 (remote on/off)	□ PAC-SE55RA-E
External Drain Pump	□ PAC-KE07DM-E
External Drain Pump	□ PAC-SH94DM-E
Blue Diamond Sensor Extension Cable—15 Ft.	□ C13-103
Mini Condensate Pump—230V application	□ SI30-230
MegaBlue Advanced Blue Diamond Condensate Pump w/ Reservoir & Sensor	□ X87-835 - 110 to 250V
MaxiBlue Advanced Blue Diamond Mini Condensate Pump w/ Reservoir & Sensor (208/230V) up to 48,000 Btu/h [recommended]	□ X87-721 - 208/230V
Drain Pan Level Sensor (Control for indoor unit shut off to prevent drain pan overflow)	□ DPLS2
3 Pole Disconnect Switch (30A/600VUL) [fits 2"X4" utility] - Black	□ TAZ-MS303
3 Pole Disconnect Switch (30A/600VUL) [fits 2"X4" utility] - White	□ TAZ-MS303W

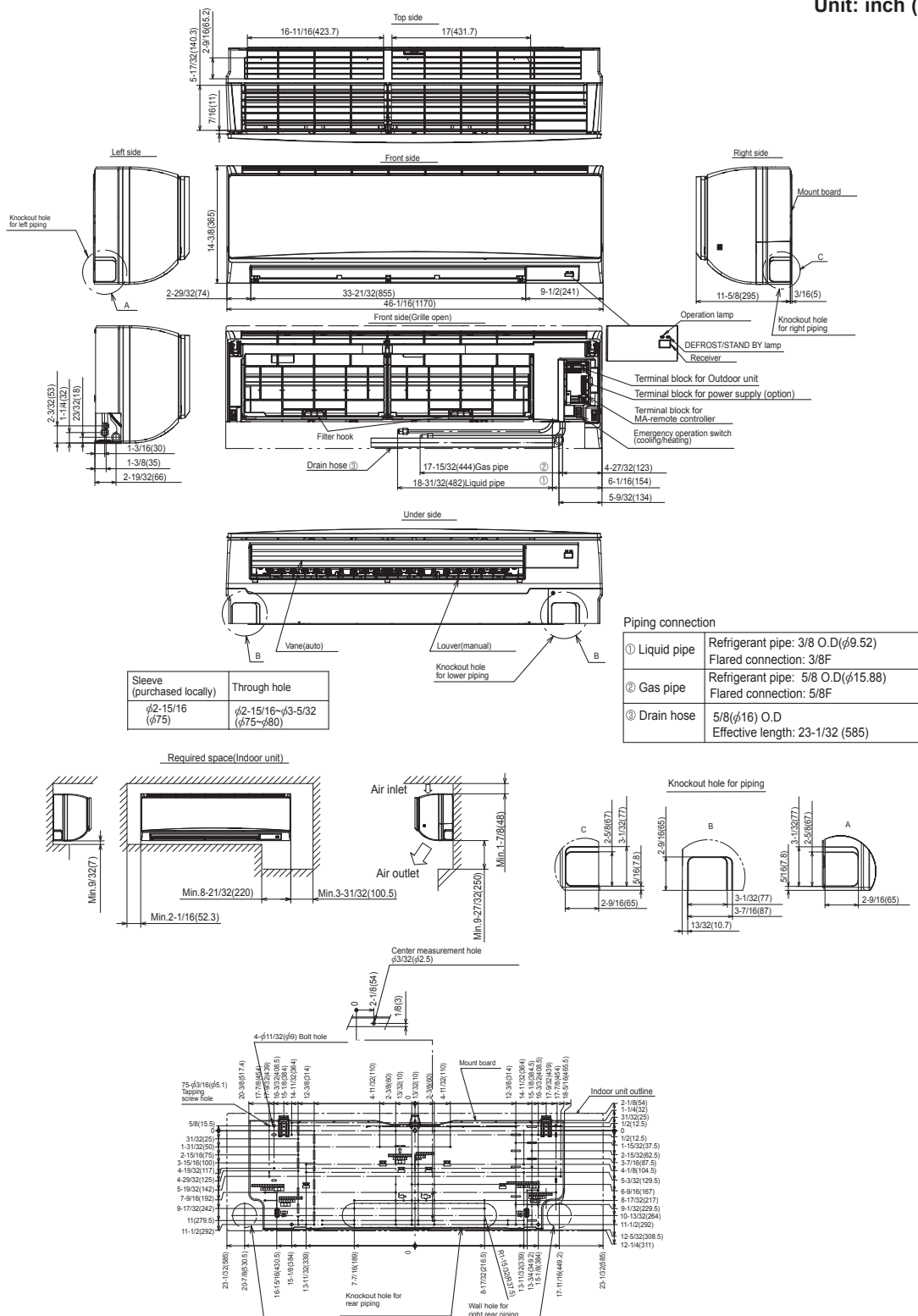
ACCESSORIES: PUZ-A30NHA7(-BS)

Air Outlet Guide	<input type="checkbox"/> PAC-SG59SG-E
Front Wind Baffle	<input type="checkbox"/> WB-PA5
Drain Socket	<input type="checkbox"/> PAC-SG61DS-E
Centralized Drain Pan	<input type="checkbox"/> PAC-SG64DP-E
M-NET Converter	<input type="checkbox"/> PAC-SF83MA-E
M-NET Converter	<input type="checkbox"/> PAC-SJ95MA-E
Control/Service Tool	<input type="checkbox"/> PAC-SK52ST
Hail Guard	<input type="checkbox"/> HG-A6
Condensing Unit Mounting Pad 24" x 42" x 3"	<input type="checkbox"/> ULTRILITE2
Outdoor Unit Stand—12" High	<input type="checkbox"/> QSMS1201M
Outdoor Unit Stand—18" High	<input type="checkbox"/> QSMS1801M
Outdoor Unit Stand—24" High	<input type="checkbox"/> QSMS2401M
Heavy Duty Wall Mounting Bracket for Outdoor Units—Coated Steel	<input type="checkbox"/> QSWB2000M-1
Heavy Duty Wall Mounting Bracket for Outdoor Units—316 Series Stainless Steel	<input type="checkbox"/> QSWBSS
3/8" x 5/8" x 10' / 1/2" Lineset (Twin-Tube Insulation)	<input type="checkbox"/> MPLS385812T-10
3/8" x 5/8" x 15' / 1/2" Lineset (Twin-Tube Insulation)	<input type="checkbox"/> MPLS385812T-15
3/8" x 5/8" x 30' / 1/2" Lineset (Twin-Tube Insulation)	<input type="checkbox"/> MPLS385812T-30
3/8" x 5/8" x 50' / 1/2" Lineset (Twin-Tube Insulation)	<input type="checkbox"/> MPLS385812T-50
3/8" x 5/8" x 65' / 1/2" Lineset (Twin-Tube Insulation)	<input type="checkbox"/> MPLS385812T-65
3/8" x 5/8" x 100' / 1/2" Lineset (Twin-Tube Insulation)	<input type="checkbox"/> MPLS385812T-100

DIMENSIONS: PKA-A30KA7 & PUZ-A30NHA7 (-BS)

PKA-A30KA7

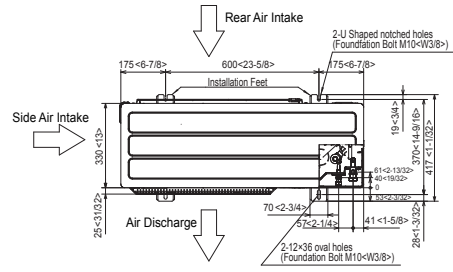
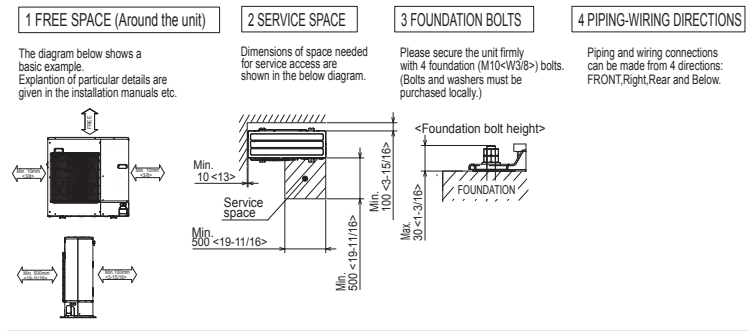
Unit: inch (mm)



DIMENSIONS: PKA-A30KA7 & PUZ-A30NHA7 (-BS)

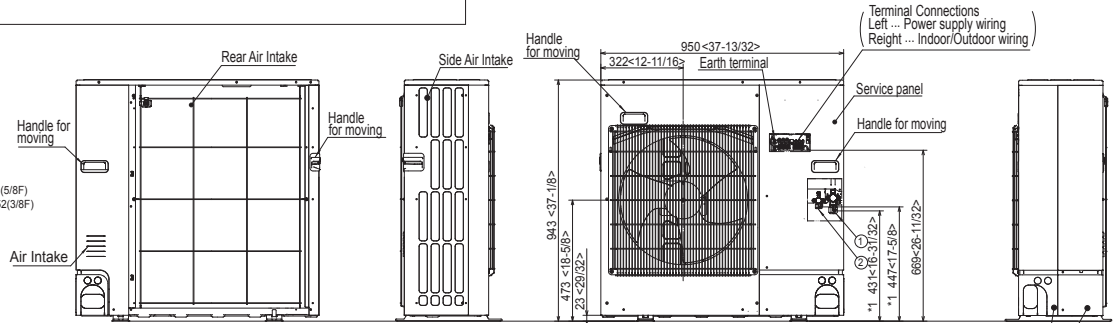
PUZ-A30NHA7(-BS)

Unit: mm<in>

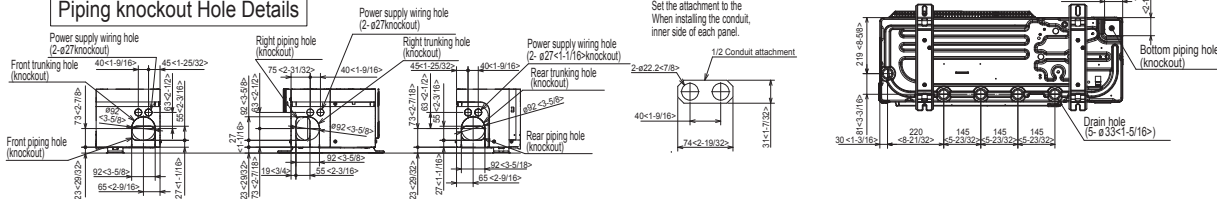


Example of Notes

- ① ... Refrigerant GAS pipe connection (FLARE) ø15.88(5/8F)
- ② ... Refrigerant LIQUID pipe connection (FLARE) ø 9.52(3/8F)
- *1... Indication of STOP VALVE connection location.



Piping knockout Hole Details



COOLING & HEATING

1340 Satellite Boulevard, Suwanee, GA 30024
Toll Free: 800-433-4822 www.mehvac.com

